

Chocolate Tempering Machine

Ruby
5



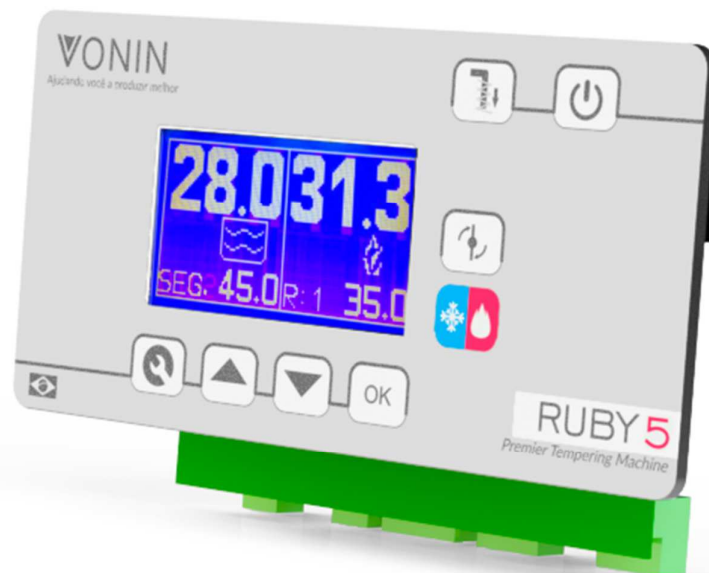
Your production, unleashed.

We are proud to present to you the Ruby⁵, carefully crafted to give you all the power that you need to take your small-scale production to the next level.



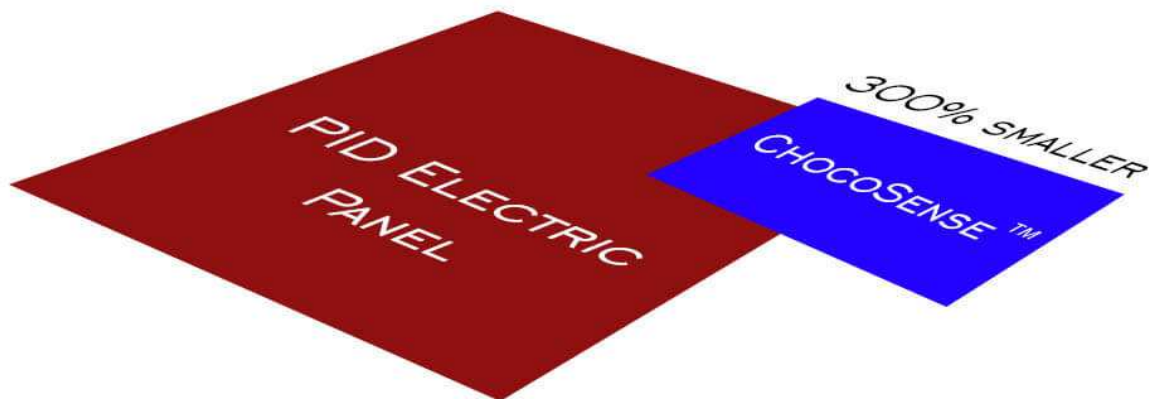
ChocoSense™: Real technology, at your disposal. Finally.

Since VONIN's foundation, we strive to change the way chocolate machines are made. This time, we have created the ChocoSense™, an exclusive piece of hardware that brings you a whole new level of possibilities whilst reduced in size.



Fits everywhere

The Ruby *5* tempering machine is compact and fits perfectly in small spaces, thanks to the ChocoSense™'s size being 300% smaller compared to traditional electric PID panels.



Go further with the power of ChocoSense™

Set an automatic wake-up time and start the day ready to make your best creations. Record curves for different chocolates. Control temperatures through a precise, intuitive and easy-to-use system. Have your chocolate always ready to do your best work.

All this is possible in Ruby 5, thanks to the ChocoSense™.



Discover the power of the

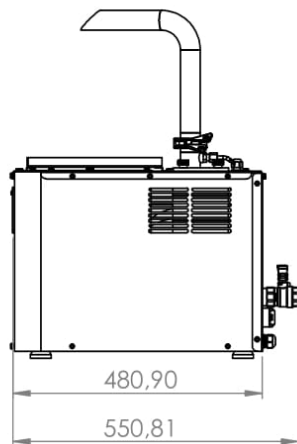
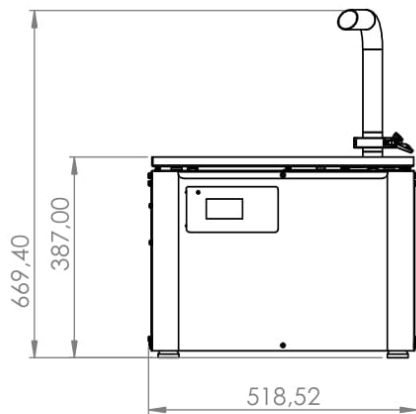
Freon Gas Cooling

The Ruby *5* is a continuous auger tempering machine and has its own condensation unit, which performs the cooling of the chocolate through freon gas.

This allows you to have a quick temper cycle with an exceptional quality, without additions or depending on the temperature of the external environment.



Data Sheet



Tempers up to

15kg of chocolate per hour

Estimated time of tempering cycle

8 Minutes

Body, contact parts and accessories

Stainless Steel

Stores up to

5kg of chocolate

Minimum amount recommended for operation

2,5kg of melted chocolate

Voltage

220V Single-phase

Net weight (empty machine)

38Kg

Main motor (Auger and agitator)

 **Bonfiglioli**

Circuit board developed by



Refrigeration system (cold freon gas)



Additional info:

- Build with sanitary design
- Reverse auger rotation for quick emptying of the machine