

One Shot Depositor

C3 Pro

We're proud to present to you the newest One Shot Depositor from our 2020 catalog: the One Shot C3 Pro.

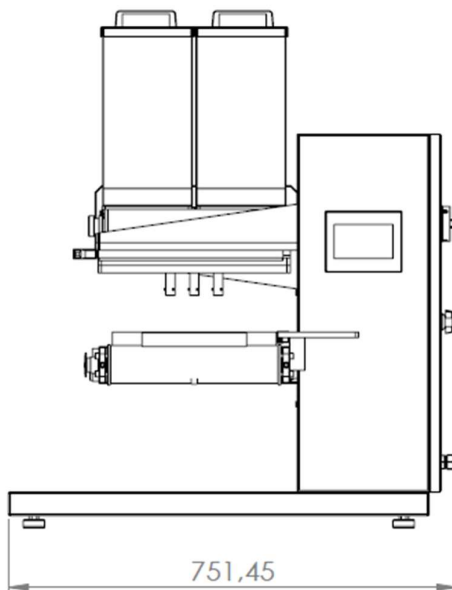
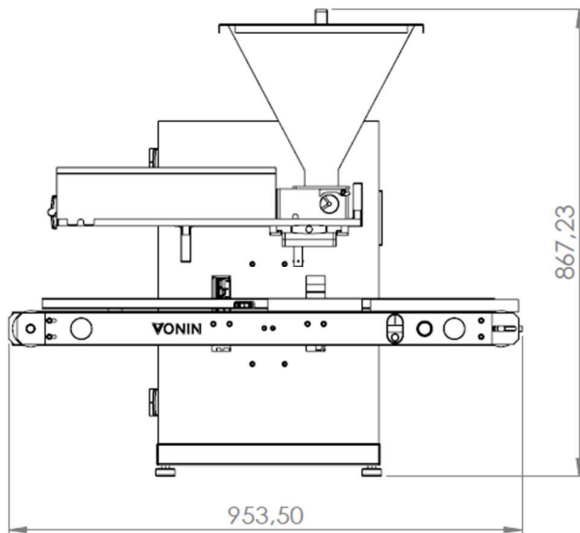
After eight years of experience making the most compact One Shot systems in the world, we have come to our magnum-opus of efficiency and compactness.

The One Shot C3 Pro is built to give years and years of hassle-free performance, with first quality components and completely redesigned engineering in C-Frame.

This version excels for it being able to have up to three nozzles. Expanding its production rate from to 1800 to 2000 pieces per hour.



Datasheet



Produces up to

2000 units per hour

(Based on 30g pralines)

Limit per deposit

75 grams per nozzle

Contact parts and protections in

Stainless Steel (SS) 304

Double reservoir with storage capacity of

7kg on each side

Voltage

220V Single phase

Net weight (empty machine)

195lbs (88Kg)

Actuation and Pneumatics



Touchscreen (HMI) and Logic Controller (PLC)



Additional Features:

- Reservoir with heating (to control tempering and consistency of fillings).
- Structure in Stainless Steel 304
- Stores up to 200 recipes in memory
- Belt with automatic lifting and advance



Product Samples



Simple Filled Chocolate



Filled Cone



Filled Chocolate Bottle



Adorned Filled Chocolate



Chest Bonbon



Alpine Bonbon



High Detailed Bonbons



Filled Bars