

Automatic Depositor

MaxFill

The MaxFill is a fully automatic depositor, with a production capacity from 7500 to up to 10.000 units per hour. Equipped with motion sensors and automatic belt advance, it is our most complete solution to automate the depositing of your products on a medium to large scale with ease, reliability and efficiency.



Datasheet

Can deposit from

7500 to 10.000 units per hour

Limit per deposit

75 grams per nozzle

Contact parts and protections in

Stainless steel (SS) 304

Reservoir with storage capacity of

40 liters

Voltage

220V Single phase

Net weight (empty machine)

286lbs (130Kg)

Actuation and Pneumatic

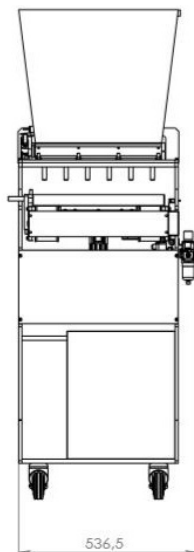
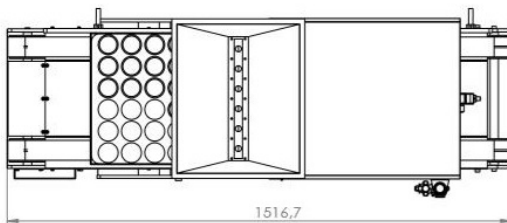
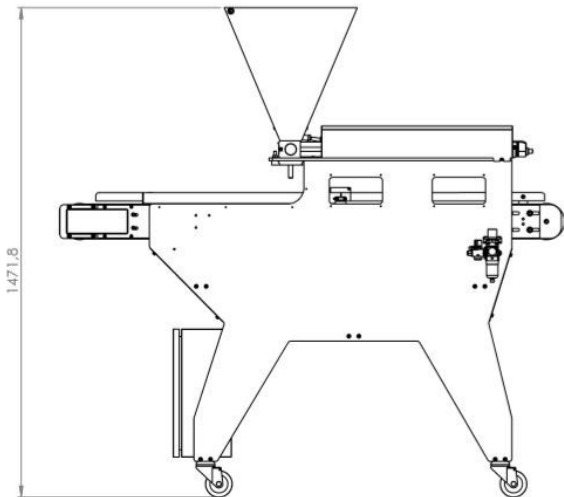


IHM (Touchscreen), PLC and Drivers



Additional features:

- Equipment operation is done through HMI
- Conveyor belt with automatic advance and lift
- Structure in sturdy aluminum
- Cleaning mode depositing to make everyday life easier
- Volumetric deposit grammage control, done through a steering wheel
- Motion control via logic controller (PLC)



Examples of products that can be made



Macarón
(Batter and Filling)



Sponge Cake
Biscuits
(Batter and Filling)



Alfajor
(Filling)



Cupcake
(Batter, Filling and
topping)



Brownie
(Batter with or
without inclusions)



Cream-puffs
(Dough and filling)



Cup treats



Meringue



Depositing in special formats

If you need to deposit masses with some kind of decoration, we can develop special tipped nozzles to meet the demands of your project. This will imply additional costs per nozzle kit, which will depend on the complexity and development time of the nozzles. Please contact us for more information.



Nozzles to fill by perforation

You can purchase special nozzles to perform the depositing of fillings on products through perforation. The nozzles are of simple replacement and does not demand idle time to switch between regular nozzles. We also develop them according to your product.

It is possible, for example, to fill muffins, cupcakes, profiteroles (cream-puffs), and many others types of sweets. To check prices, please contact us.

