

Industrial Depositor

DV Multi

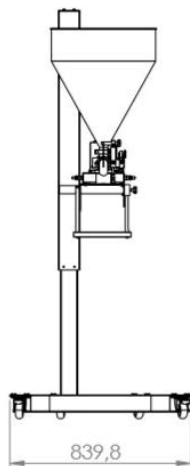
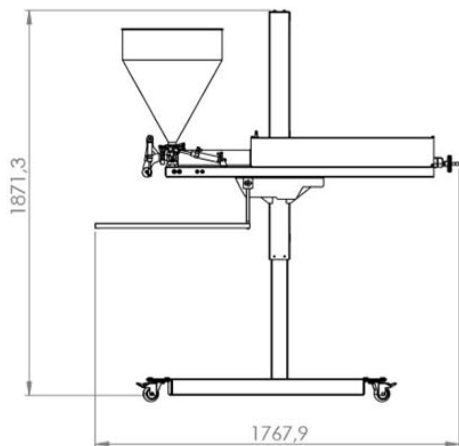
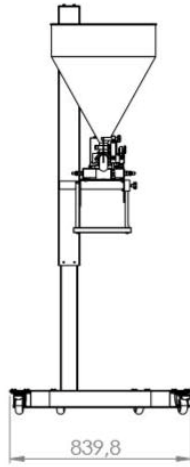
Our vision in creating the DV Multi was to bring to the foodservice branch a reliable and flexible solution that was always ready to produce. Built entirely with SMC pneumatics and stainless steel 304, the DV Multi delivers extremely consistent and precise operation with a very low maintenance rate. All this without taking up a large space.

The self-regulating pressure depositing system of the DV Multi allows you to deposit from light and more sensitive masses to heavy and solid masses. So, you can make a wide variety of products with a single piece of equipment.

In addition to working with different kinds of masses, the optional accessories of the DV Multi allows you to also decorate, fill and drip masses in different formats and weights, providing you high versatility.



Datasheet



Makes up to

50 deposits per minute

Structure, contact parts and protections in

Stainless steel (SS) 304

Ideal Pressure to Work

6 bar

Air consumption

150Ni/min

Reservoir with storage capacity of

40 liters

Net weight (empty machine)

220lbs (100Kg)

Actuation and pneumatic



Additional features:

- The equipment is 100% pneumatic, which makes for high durability and low maintenance. No plugs needed.
- Depositing is activated through a pedal, which facilitates usability
- Structure on wheels or feet with adjustable height
- Sanitary design of easy cleaning, made for the food industry. Can receive strong water jets from all directions
- Volumetric deposit grammage control, made through a steering wheel

Depositing Pistol



The DV Multi can be equipped with a depositing pistol that allows the operator to work with greater speed and practicality. This accessory can receive customizations to deposit in different formats and finishes, according to your needs.



Examples of products that can be deposited



Sauces

(With or without solids)



Jams

(With or without pieces)



Hors D'oeuvre

(With or without pieces)



Cupcake

(Batter, filling and
topping)



Brownie

(With or without
inclusions)



Ground beef Sauce



Sweet Treats